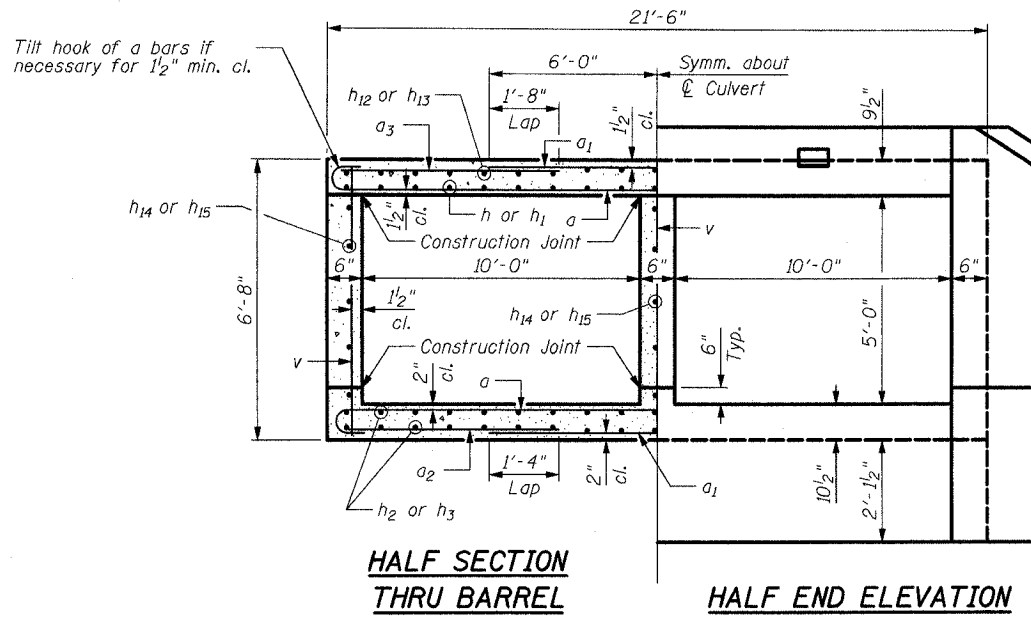


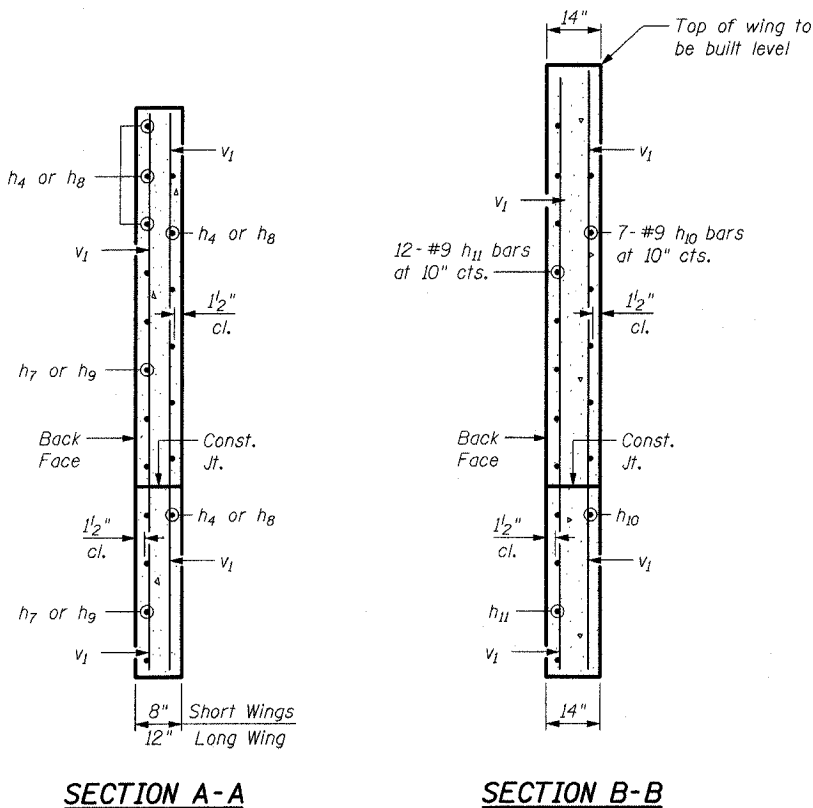
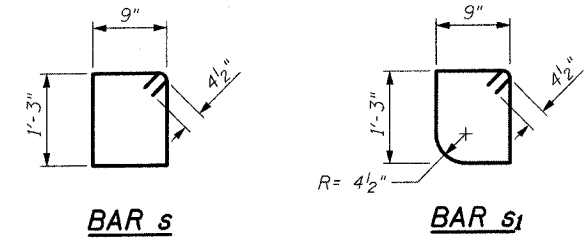
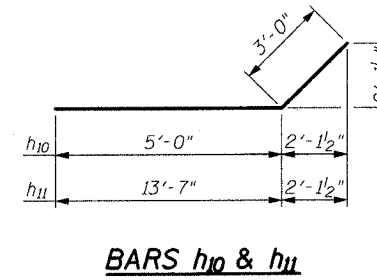
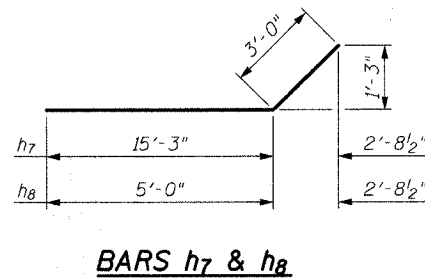
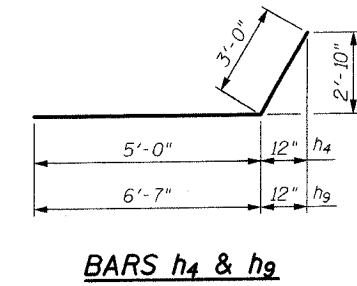
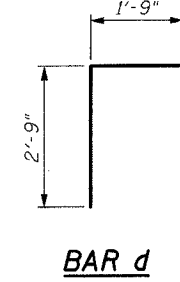
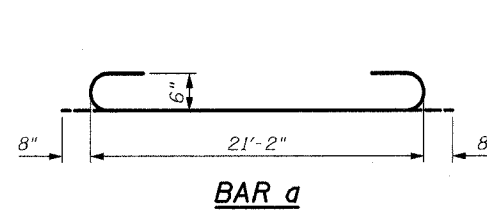
STATE OF ILLINOIS
DEPARTMENT OF TRANSPORTATION

ROUTE NO.	SECTION	COUNTY	SHEET	NO.	SHEET NO. 5
F.A. 17	110 T-1	OGLE	39	27	7 SHEETS
FEDERAL ROAD DISTRICT NUMBER 7		ILLINOIS		FEDERAL AID PROJECT	

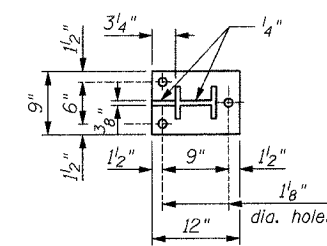
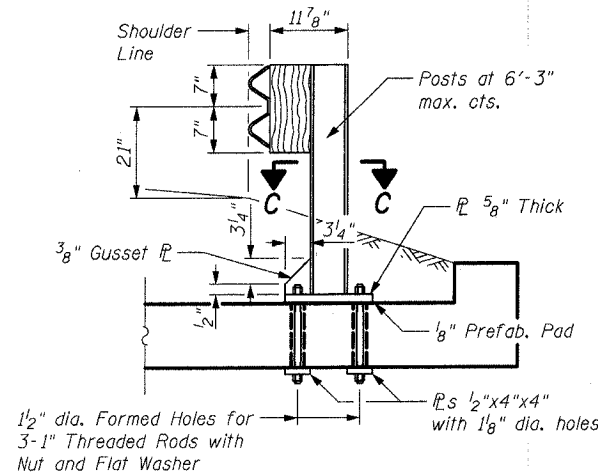
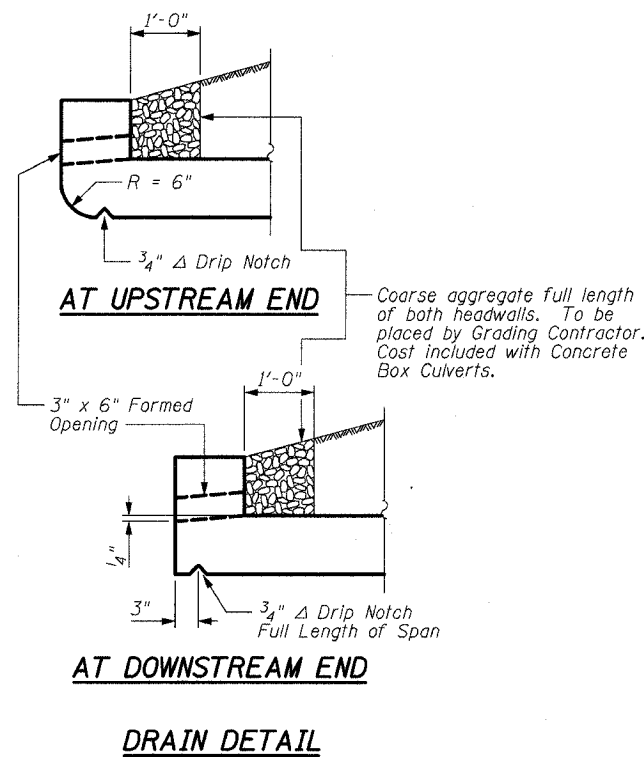
64416



Dimensions are at right angles to \bar{C} Culvert



WINGWALL SECTIONS



GUARDRAIL MOUNTED ON SLAB

BILL OF MATERIAL

Bar	No.	Size	Length	Shape
a	282	#6	22'-6"	C
a ₁	292	#8	12'-0"	—
a ₂	76	#4	6'-2"	—
a ₃	100	#5	6'-0"	—
d	46	#4	4'-6"	L
h	22	#7	36'-7"	—
h ₁	22	#7	35'-10"	—
h ₂	34	#6	36'-7"	—
h ₃	34	#6	35'-10"	—
h ₄	20	#5	8'-0"	—
h ₅	14	#9	29'-5"	—
h ₆	12	#9	30'-1"	—
h ₇	9	#8	18'-3"	—
h ₈	10	#8	8'-0"	—
h ₉	18	#5	9'-7"	—
h ₁₀	7	#9	8'-0"	—
h ₁₁	12	#9	16'-7"	—
h ₁₂	22	#4	36'-7"	—
h ₁₃	22	#4	35'-10"	—
h ₁₄	15	#5	36'-7"	—
h ₁₅	15	#5	35'-10"	—
s	90	#4	4'-8"	□
s ₁	30	#4	4'-6"	□
v	298	#4	6'-4"	—
v ₁	16	#4	9'-4"	—
Name Plates	Each	1		
Concrete Box Culverts	Cu. Yd.	137.0		
Reinforcement Bars	Pound	34,442		

DESIGNED	ADW
CHECKED	AJS
DRAWN	ADW
CHECKED	AJS



ILLINOIS DEPARTMENT OF TRANSPORTATION
CULVERT DETAILS 2
ILLINOIS 64 OVER DRAINAGE DITCH
F.A. 17 SECTION 110 T-1
OGLE COUNTY
STATION 172+38
STR. NO. 071-2025

SCALE: NONE DATE: 05/17/2004