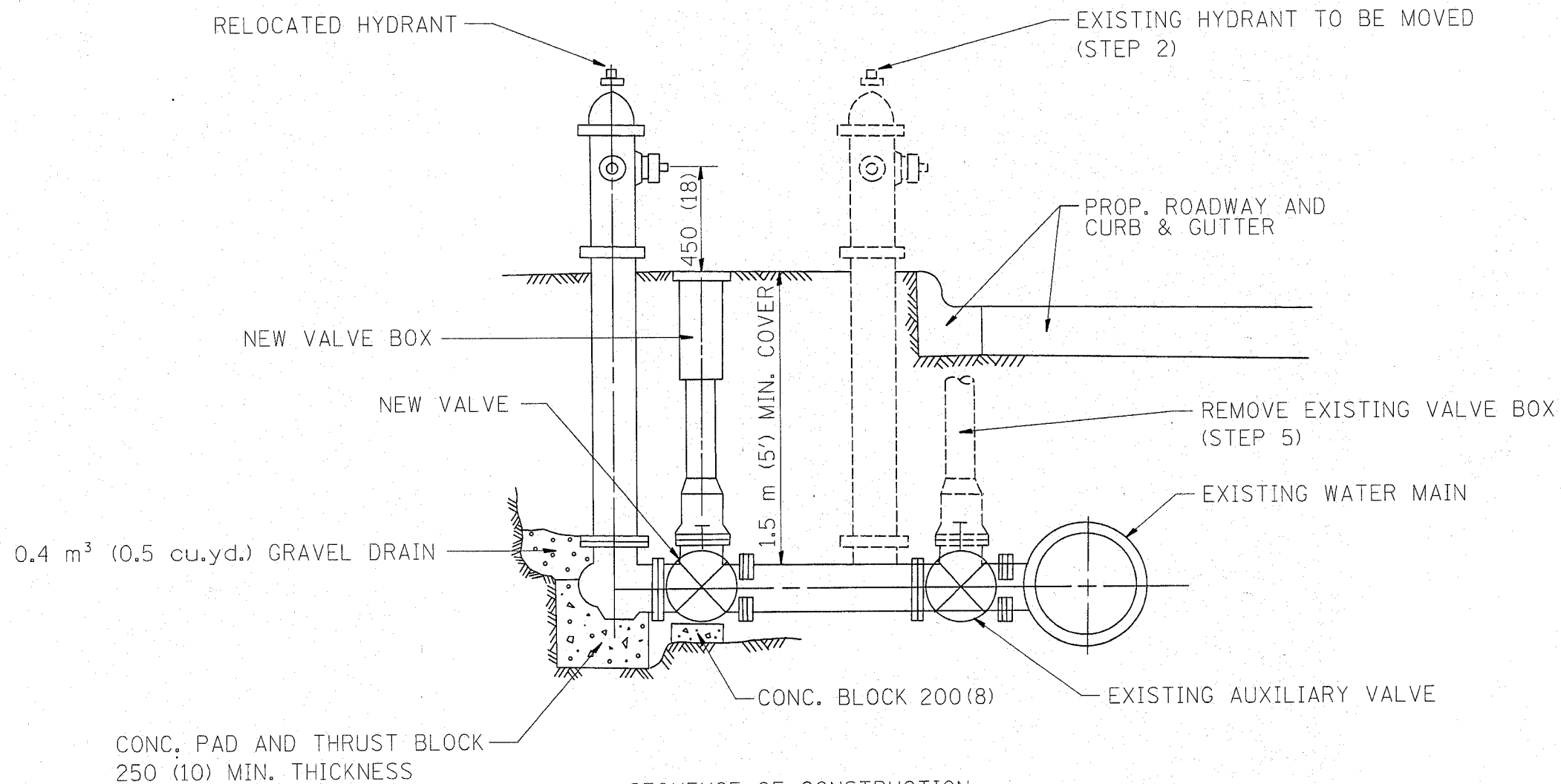


FAU RTE	SECTION	COUNTY	TOTAL SHEETS	SHEET NO.
1247	00-00084-00-RS	LAKE	39	27
F.H.W.A. REG.	ILLINOIS	PROJECT M-8003 (147)		

83740



SEQUENCE OF CONSTRUCTION:

1. CLOSE EXISTING VALVE.
2. REMOVE EXISTING HYDRANT.
3. INSTALL HYDRANT EXTENSION AND NEW VALVE.
4. RELOCATE EXISTING HYDRANT.
5. OPEN EXISTING VALVE, REMOVE BOX.
6. BACKFILL.
7. FLUSH AND TEST FOR CHLORIDE RESIDUAL AND PROVIDE TEST.

ALL WORK TO BE DONE IN ACCORDANCE WITH ARTICLE 564 OF THE STANDARD SPECIFICATIONS. NEW VALVE AND BOX SHALL BE SAME MAKE AND MODEL AS EXISTING.

FIRE HYDRANT TO BE MOVED

ALL DIMENSIONS ARE IN MILLIMETERS (INCHES) UNLESS OTHERWISE SHOWN.

ILLINOIS DEPARTMENT OF TRANSPORTATION

FIRE HYDRANT
TO BE MOVED

REVISIONS	
NAME	DATE
R. SHAH	09/09/94
R. SHAH	10/25/94

SCALE: NONE
DATE 08/07/2002

DRAWN BY
CHECKED BY

BD500-03 (BD-36)